

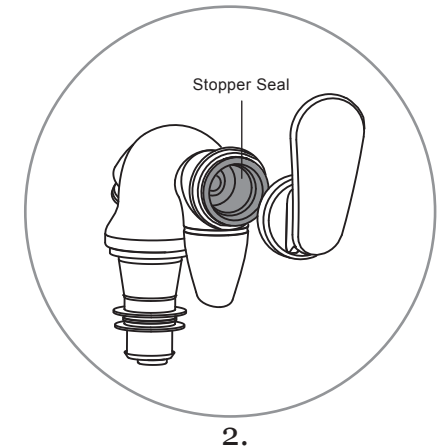
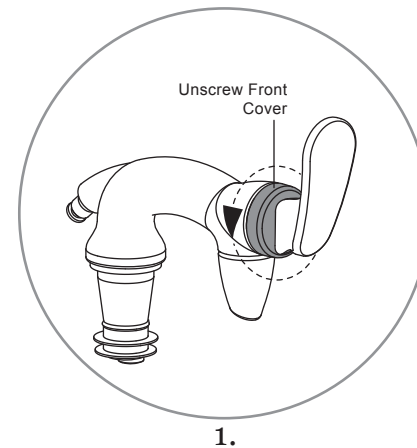
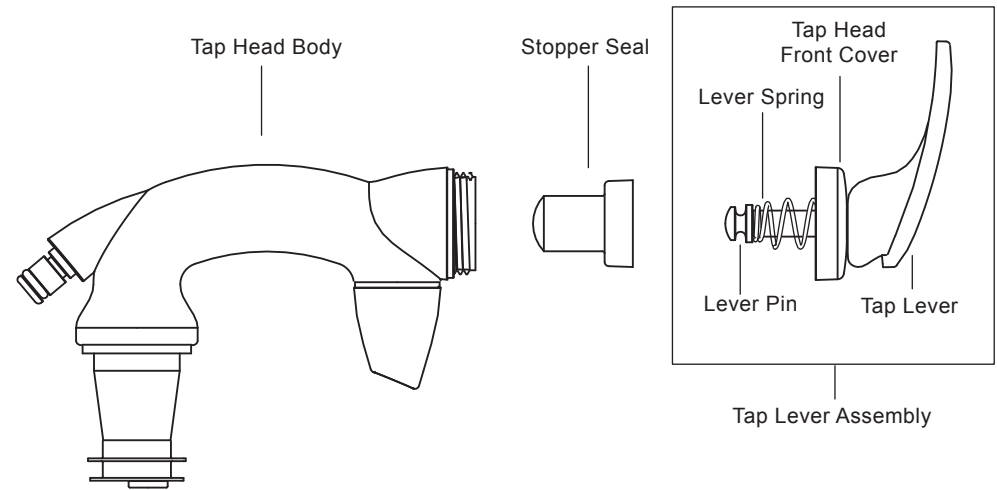
ISSUE

My Tap Head is not functioning properly.

Most Tap Head issues originate from the Stopper Seal coming loose from the Tap Lever Assembly. This can easily be corrected by following the steps below. While disassembling the Tap Head take this opportunity to clean all of the components.

Note: The Stopper Seal may come loose from the Tap Head Lever Assembly when the Tap Lever is rotated. To help in preventing this issue only rotate the Tap Lever upon initial setup of your system.

1. Unscrew the Tap Lever Assembly from the Tap Head Body. If the Stopper Seal has come loose from the assembly it will remain inside the Tap Head Body and the Lever Spring and Lever Pin will be exposed.
2. Using your finger pull the Stopper Seal out of the Tap Head Body. The Stopper Seal is a soft rubber part that will be filling the entire opening of the Tap Head Body.



ISSUE

My Tap Head is not functioning properly. (continued)

3. Hold the Tap Lever Assembly in your hand with the Lever facing up and firmly push the Stopper Seal onto the Lever Pin. Gently pull back on the Stopper Seal to be sure it is firmly seated onto the Lever Pin.

Note: Do not twist or pull on the Lever, this could result in the assembly coming apart.

4. Once the Stopper Seal is firmly reattached to the Tap Lever Assembly the assembly can be reinstalled into the Tap Head Body. Tighten the front cover by turning clockwise.

5. Ensure when Tap Lever is in the off position the lever has some looseness.

If your Tap Head continues to be problematic after performing these steps it may have to be replaced. To obtain replacement information contact a customer service representative.

