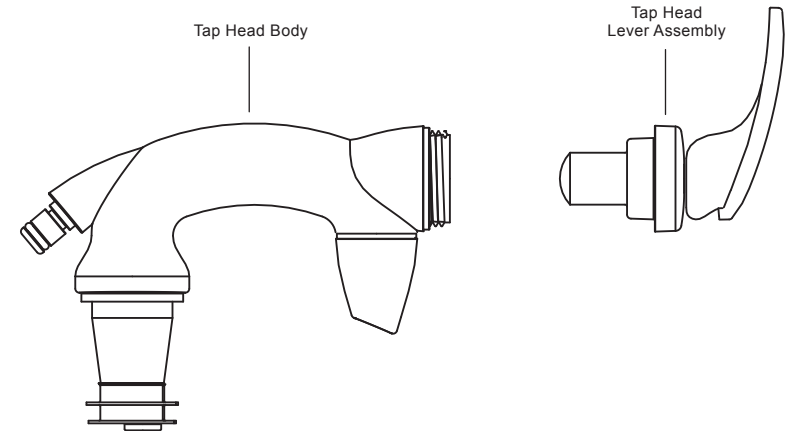


ISSUE

My Wine Saver PRO® continuously drips wine.

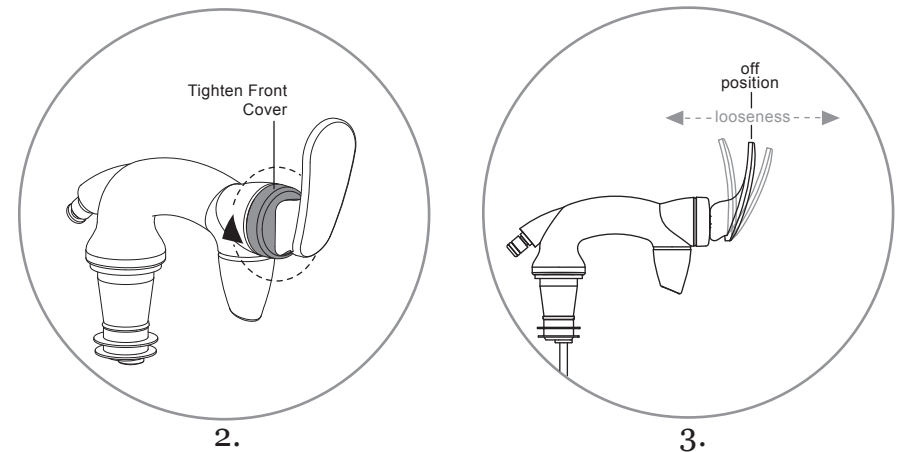
If your Wine Saver PRO® continues to drip wine when the lever is in the off position the issue is originating from the Tap Head. The following steps will guide you through correcting this issue. While disassembling the Tap Head take this opportunity to clean all of the components.

1. Unscrew the Tap Head Lever Assembly from the Tap Head Body and thoroughly clean both components.
2. Ensure Tap Head Front Cover is fully threaded onto Tap Head Body.
3. Ensure when Tap Lever is in the off position the lever has some looseness.



1. Thoroughly Clean Both Components

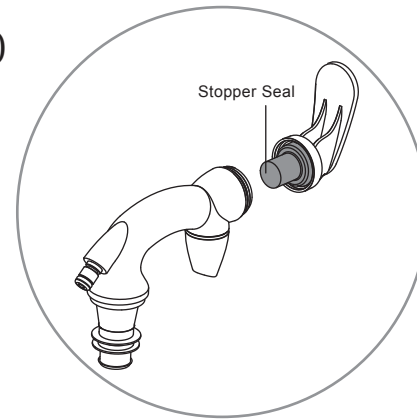
If your Wine Saver PRO® continues to drip wine after performing these steps it must be replaced. To obtain replacement information contact a customer service representative.



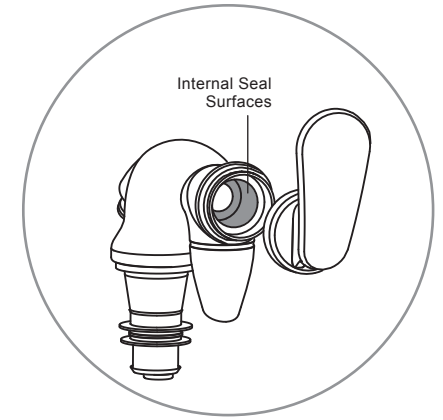
ISSUE

My Wine Saver PRO® continuously drips wine. (continued)

4. Ensure Stopper Seal is not damaged or obstructed from creating a tight seal inside the Tap Head.
5. Ensure Stopper seal surfaces inside Tap Head are not damaged or obstructed.



4.



5.