

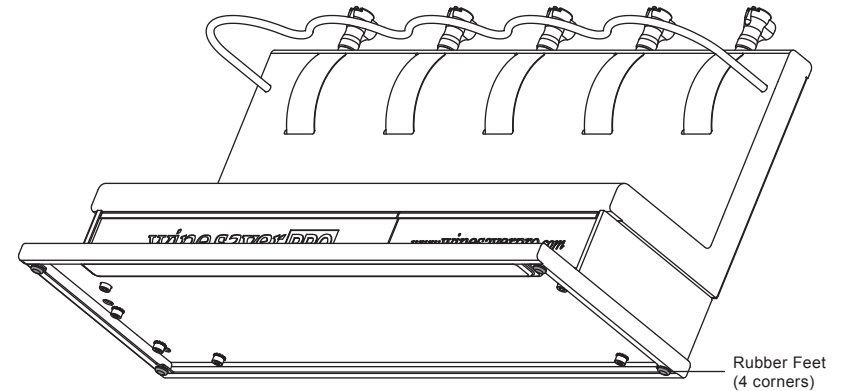
ISSUE

My door is not swinging freely open or closed.

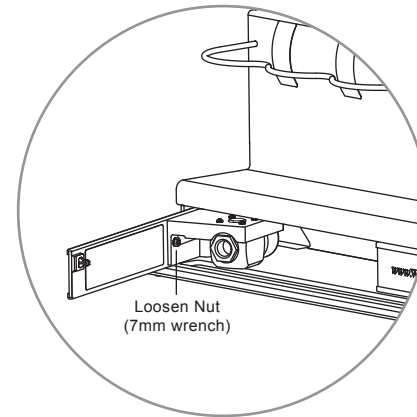
Your Wine Saver PRO® has an adjustable door that should swing freely open and closed without hitting against the surrounding frame. Both the door angle and the hinge tension can be easily adjusted. The following instructions will help you properly adjust your door.

1. Ensure all four Rubber feet are in place and rack is sitting on a level surface.
2. If door is hitting surrounding frame or not closing properly loosen nut on backside of door, adjust door up or down to center door in frame, and re-tighten nut. (7mm wrench required)
3. If door swings too freely or is too tight the door pivot screw may need adjustment. Tighten or loosen the screw from the bottom side of the rack to get desired hinge tension. (4mm hex wrench required)

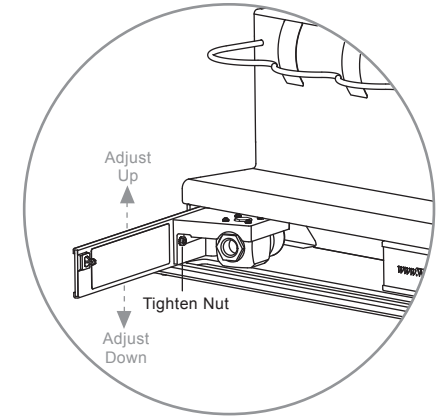
If the door was opened or closed when not adjusted properly there could be slight scuff marks from the metal to metal contact. A clean abrasive pad may remove this. Carefully brush with the grain of the metal and always use as light a pressure as possible.



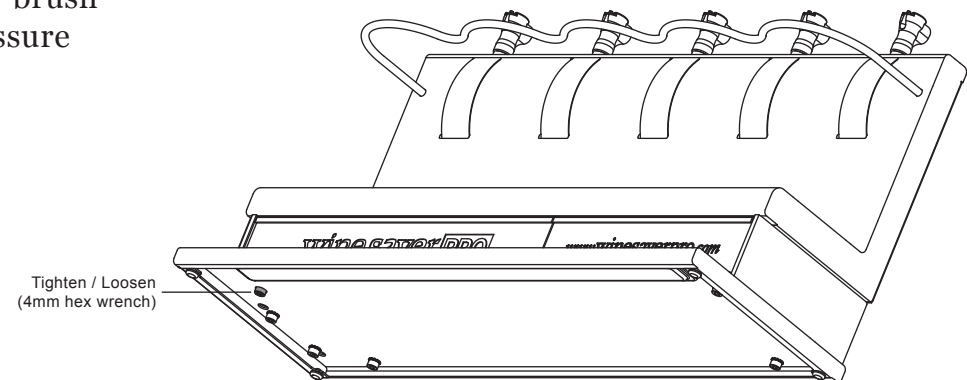
1.



2a.



2b.



3.